

Stainless Steel- Hexagon head screws

with brass / plastic / spherical pivot

SPECIFICATION

Types

- Type **MS**: Brass pivot
- Type **KU**: Plastic pivot (Polyacetal POM)
- Type **ZK**: Spherical pivot

Hexagon head screw
Stainless Steel AISI 304 (A2)



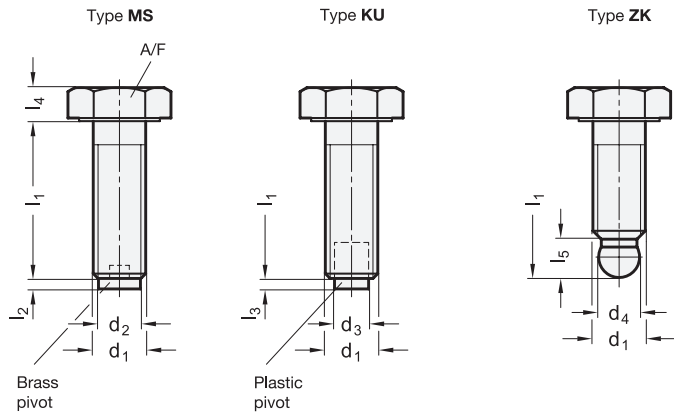
INFORMATION

Stainless Steel-Hexagon head screws GN 933.5 with brass or plastic pivots are used when pressure dents or damage to the clamping surface must be avoided.

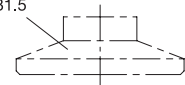
Stainless Steel-Hexagon head screws GN 933.5, type ZK, feature a spherical pivot whose diameter d_4 is smaller than the core diameter d_1 of the thread. This makes them suitable for holding thrust pads GN 631 (see page 940) / GN 631.5 (see page 941) which must be ordered separately.

TECHNICAL INFORMATION

- Plastic characteristics (see page A2)
- Stainless Steel characteristics (see page A26)



Thrust pad
GN 631 / GN 631.5



* Complete with type index of the Hexagon head screw

MS	KU	ZK
Brass pivot	Plastic pivot	Spherical pivot

GN 933.5

STAINLESS STEEL

Description	d1	l1	d2	d3	d4	l2	l3	l4 ≈	l5 ≈	A/F	⚖
GN 933.5-M6-16-*	M 6**	16	4	3,5	-	1	1,3	4	-	10	5
GN 933.5-M6-20-*	M 6	20	4	3,5	4,5±0,03	1	1,3	4	5,1	10	6
GN 933.5-M6-25-*	M 6	25	4	3,5	4,5±0,03	1	1,3	4	5,1	10	6
GN 933.5-M6-30-*	M 6	30	4	3,5	4,5±0,03	1	1,3	4	5,1	10	7
GN 933.5-M6-35-*	M 6	35	4	3,5	4,5±0,03	1	1,3	4	5,1	10	8
GN 933.5-M8-20-*	M 8**	20	6	5	-	1,5	1,6	5,3	-	13	11
GN 933.5-M8-25-*	M 8	25	6	5	6,1±0,05	1,5	1,6	5,3	6,2	13	13
GN 933.5-M8-30-*	M 8	30	6	5	6,1±0,05	1,5	1,6	5,3	6,2	13	14
GN 933.5-M8-35-*	M 8	35	6	5	6,1±0,05	1,5	1,6	5,3	6,2	13	16
GN 933.5-M8-45-*	M 8	45	6	5	6,1±0,05	1,5	1,6	5,3	6,2	13	19
GN 933.5-M10-25-*	M 10**	25	8	6,5	-	2	1,9	6,4	-	17	23
GN 933.5-M10-30-*	M 10	30	8	6,5	7,8±0,05	2	1,9	6,4	7,3	17	25
GN 933.5-M10-35-*	M 10	35	8	6,5	7,8±0,05	2	1,9	6,4	7,3	17	28
GN 933.5-M10-45-*	M 10	45	8	6,5	7,8±0,05	2	1,9	6,4	7,3	17	32
GN 933.5-M10-55-*	M 10	55	8	6,5	7,8±0,05	2	1,9	6,4	7,3	17	37

Weight type MS | ** not available for ZK.

